

# MATHIEU

EMMANUEL GALLINA (2017)



## DESCRIPTION

Mathieu, a desk with a slender silhouette, where the gentle curves of the top are in complete harmony with the elegance of the clean lines of the structure. The mix of materials (hide, wood, and metal) are enhanced by their very contrast. A refined design solution yet that doesn't lack functionality, also thanks to the drawer that conceals itself quite discreetly.

**Poliform**

# MATHIEU

EMMANUEL GALLINA (2017)



## TECHNICAL DESCRIPTION

### TPOLOGY

writing desk

### TOP

solid wood frame and medium-density fibre panel

### INSERT

medium-density fibre panel covered in hide

### LEGS

in painted metal

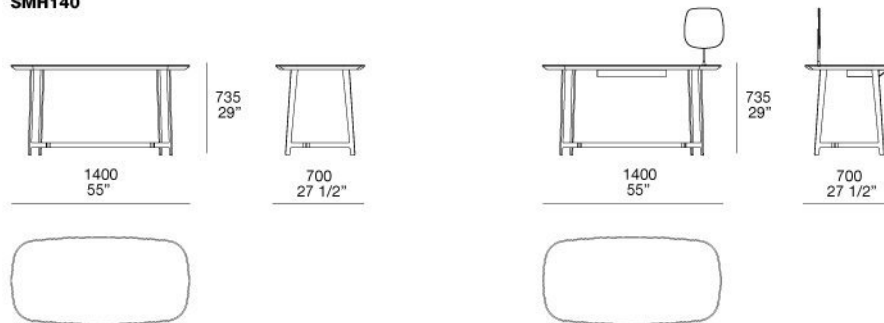
### FEATURES

optional drawer and mirror

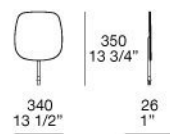
# MATHIEU

EMMANUEL GALLINA (2017)

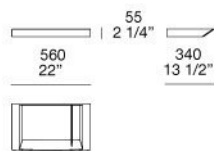
## SMH140



## SP001

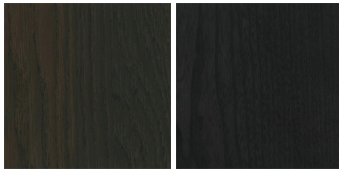


## CA001



# MATHIEU

FINISHINGS\FRAME\WOODS (2)

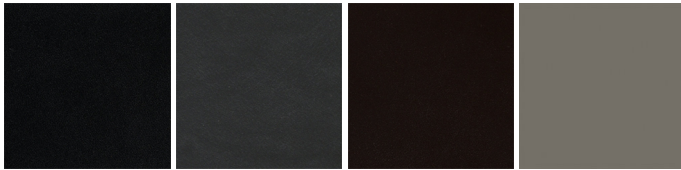


SPESSART  
OAK

BLACK ELM

# MATHIEU

FINISHINGS\TOP\HIDE (4)



2 NERO

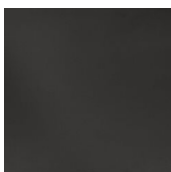
3 GRIGIO  
SCURO

19 CAFFÉ

29 TORTORA

# MATHIEU

FINISHINGS\STRUCTURE\ BROWN NICKEL MAT PAINTED (1)



BROWN  
NICKEL MAT  
PAINTED

# MATHIEU

FINISHINGS\STRUCTURE\GLOSSY PAINTEDBROWN NICKEL (1)



GLOSSY  
PAINTEDBRO  
WN NICKEL